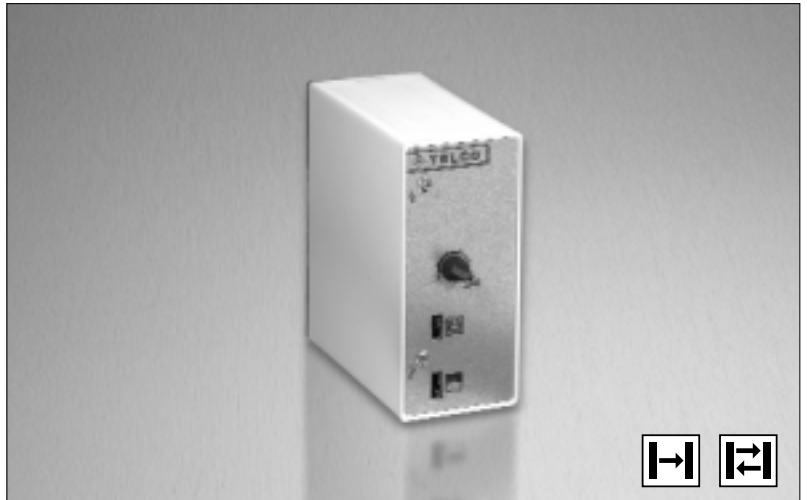


Description



- Operation mode and max sensing range:
Thru beam: 0-60 m
Diffuse proximity: 0-4 m
- 230 V ac, 115 V ac, 24 V ac or 24 V dc supply voltage
- Manual sensitivity adjustment
- 1 relay or 1 transistor output
- Switch selectable light or dark function
- Switch selectable long or short range
- Power and output indicators
- 11-pole DIN socket connection



The PA 10 A is to be used in conjunction with a remote transmitter LT and receiver LR from series 101, whilst the PA 10 B is intended for use with series 100, 110, and 120.

This amplifier series offers manual sensitivity adjustment via an integral potentiometer located on the front panel of the amplifier. Output can be selected from either a relay or an NPN/PNP transistor output. Light or dark function and long or short range are switch selectable.

Technical Data	
Supply voltage	24 V dc, 24 V ac, 115 V ac or 230 V ac
Voltage tolerance	+/- 15 %
Power consumption	Max. 3,2 VA
Output	Relay Transistor
	1 open / 1 close, 250 V ac / 3 A, 120 V ac / 5 A
	40 mA / 30 V dc
Power on indicator	Green LED
Output indicator	Red LED
Signal level indicator	-
LR sensor failure indicator	-
LT sensor failure indicator	-
Sensor monitor LED drive	-
Hysteresis	Approx. 40 %
Operation frequency	10 Hz
Response time t_{ON} / t_{OFF}	40 ms / 40 ms
Delay t_{ON} / t_{OFF}	-
Housing material	Noryl

Environmental Data	
Temperature, operation	- 10 to +50 °C
Temperature, storage	- 40 to +80 °C
Sealing class	IP 40
Approvals	CE  

Available Types

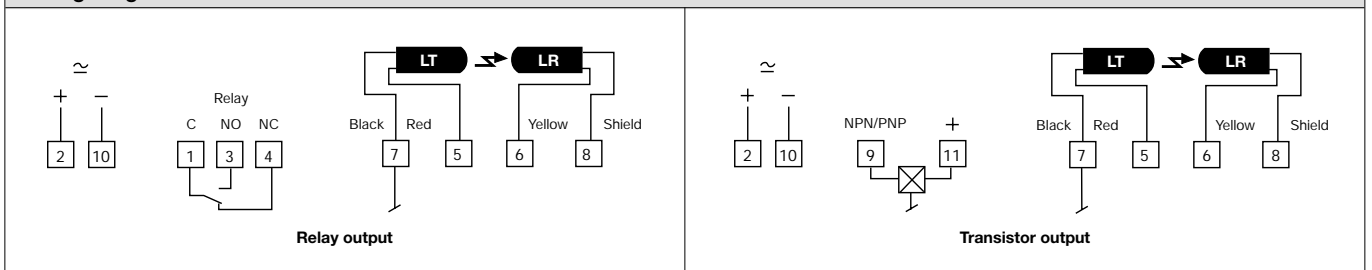
Model	Connection	Supply Voltage	24 V dc	24 V ac	115 V ac	230 V ac
		Output	Order Reference			
PA 10 A	11-pole DIN socket	Relay	PA 10 A 513	PA 10 A 512	PA 10 A 511	PA 10 A 510
		NPN and PNP	PA 10 A 613	PA 10 A 612	PA 10 A 611	PA 10 A 610
PA 10 B		Relay	PA 10 B 513	PA 10 B 512	PA 10 B 511	PA 10 B 510
		NPN and PNP	PA 10 B 613	PA 10 B 612	PA 10 B 611	PA 10 B 610

Note: Remote sensors and 11-pole DIN socket to be ordered separately.

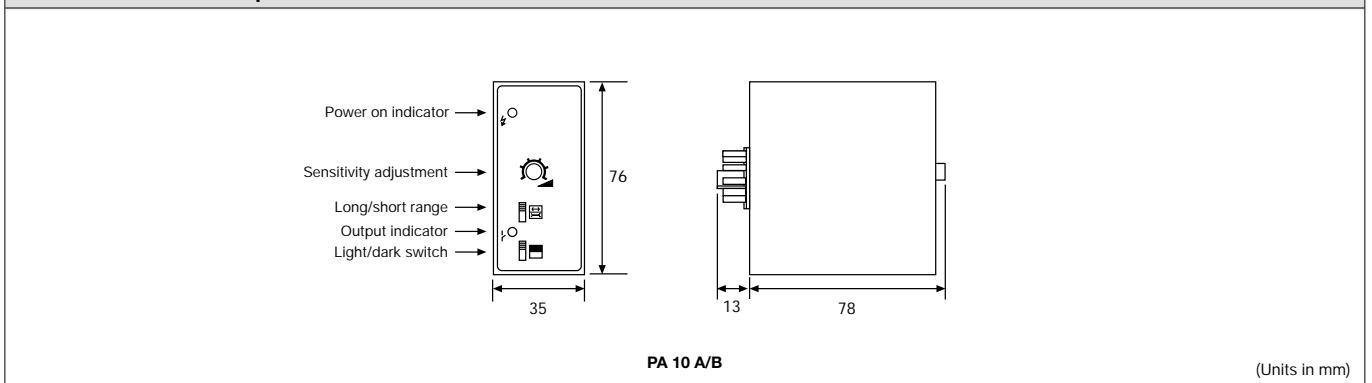
Applicable Remote Sensors and Ranges

Series	Thru Beam	Diffuse Proximity
101 (only PA 10 A)	11 m	90 cm
100 (only PA 10 B)	15 m	1,1 m
110 (only PA 10 B)	35 m	2 m
120 (only PA 10 B)	60 m	4 m

Wiring Diagrams



Dimensions and Descriptions



Telco reserves the right to change specifications without notice.